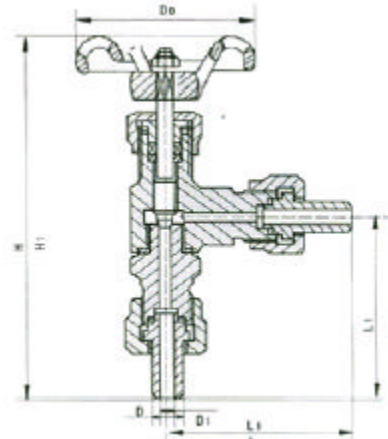




J24W-1.6/16P 型针型阀



主要零件材料 Materials for main parts

零件名称 Part name	阀体、阀盖 BODY、Bonnet	阀杆、阀瓣 Stem、Disc	填料 Packing
J24W-160P-DN3	铬镍不锈钢 Cr,Ni Stainless steel	铬镍不锈钢 Cr,Ni Stainless steel	聚四氟乙烯、柔性石墨 PTFE,Soft graphite
J24W-320P-DN6	优质碳钢 High grade carbon steel	铬镍不锈钢 Cr,Ni Stainless steel	聚四氟乙烯、柔性石墨 PTFE,Soft graphite

主要性能规范 Chief Property and specification

型号 Type	公称压力 (MPa) Nominal Pressure	试验压力 PS (MPa) Test pressure			工作压力 (MPa) Working Pressure	工作温度 () Working Temperature	适用介质 Suitable
		壳体 (MPa) Shell	密封 (液) Seal	密封 (气) Seal			
J24W-160P-DN3	16.0	24.0	17.6	0.6	16.0	P 540	液化石油气水、酸、 蒸汽、油品等 Petroleum gas Water, Acid, Steam, Oil etc.
J24W-320P-DN6	32.0	48.0	35.2	0.6	32.0	C 425	

主要外型及连接尺寸 Main External And Connecting Dimensions(mm)

型号 Type	公称直径DN(mm) Nominal diameter	尺寸 Dimensions						重量(kg) Weight
		L1	Do	H	H1	D	D1	
J24W-160P-DN3	3	80	65	159	168	14	3	1.0
J24W-320P-DN6	6	80	65	159	168	14	6	1.0