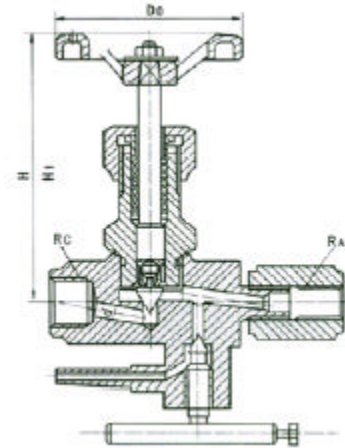




CJ123H-1.6/32P 型针型阀



主要零件材料 Materials for main parts

零件名称 Part name	阀体 BODY	阀杆 Stem	阀底座、法兰 Base, Flange	填料 PACKING	填料阀盖 Packing bonnet	手轮 Handwheel
CJ123H-250-DN15	铬镍不锈钢 Cr,Ni Stainless steel	铬镍不锈钢 Cr,Ni Stainless steel	铬镍不锈钢 Cr,Ni Stainless steel	聚四氟乙稀、柔性石墨 PTFE, Soft graphite	不锈钢 Stainless steel	优质碳钢 High grade carbon steel

主要性能规范 Chief Property and specification

型号 Type	公称压力 (MPa) Nominal Pressure	试验压力 PS (MPa) Test pressure			工作压力 (MPa) Working Pressure	工作温度 () Working Temperature	适用介质 Suitable
		壳体 (MPa) Shell	密封 (液) Seal	密封 (气) Seal			
CJ123H-250-DN15	25.0	37.5	27.5	0.6	25.0	P 540	液化石油气水、酸、蒸汽、油品等 Petroleum gas Water, Acid, Steam, Oil etc.
						C 425	

主要外型及连接尺寸 Main External And Connecting Dimensions(mm)

型号 Type	公称直径DN(mm) Nominal diameter	尺寸 Dimensions						重量(kg) Weight
		RA	Rc	Do	H	H1	d	
CJ123H-320-DN15	15	M20 × 1.5	G1/2"	65	100	110	5	1.4